

Model: LXDG-13B-25B

Single Jet Water Meter

Feature:

- Single jet, Dry-dial
- Material body: Brass
- Size: DN15 to DN25mm, (1/2"-1")
- Available for cold water (50°C), hot water (90°C)
- Accuracy: Class C / R160

Main Technical Data:

According to IS04064(GB/T778.1-1996) Standard

Size		Class	Qs	Qp	Qt	Qmin	Min Reading	Max Reading
DN(mm)	Inch		Overload Flow	Nominal Flow	Transitional Flow	Min Flow		
		m ³ /h			L/h		m ³	
15	1/2"	C	3	1.5	22.5	15	0.0001	99999
20	3/4"	C	5	2.5	37.5	25	0.0001	99999
25	1"	C	7	3.5	52.5	35	0.0001	99999

According to IS04064(GB/T778.1-2007) Standard

DN Size	Mm Inch	15 1/2"	20 3/4"	25 1"
Q4(m ³ /h)		3.125	5	7.875
Q3(m ³ /h)		2.5	4	6.3
R160	Q2(L/h)	25	40	63
	Q1(L/h)	15.625	25	39.375
Min reading(m ³)		0.0001	0.0001	0.0001
Max reading(m ³)		99999	99999	9999
Max pressure(MAP)		16	16	16
Max loss(Δ P)		63	63	63
Max temperature		T50	T50	T50

INDICATING ERROR

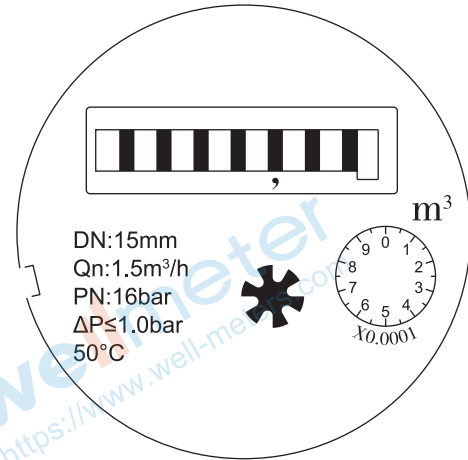
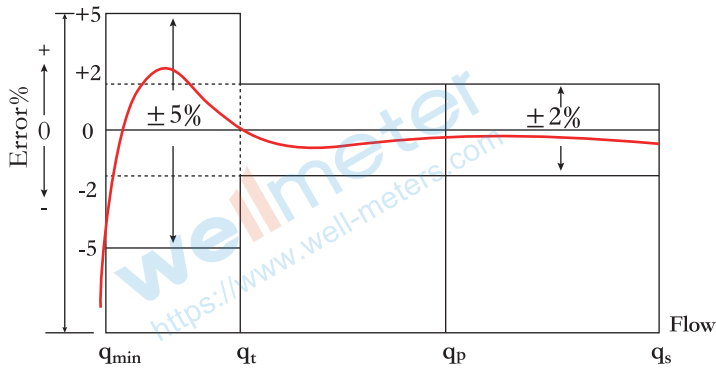
At low zone is ±5% from minimum flow rate (qmin) to transitional flow rate (qt) exclusive boundary

At high zone is ±2% from transitional flow rate (qt) to overload flow rate (qs)

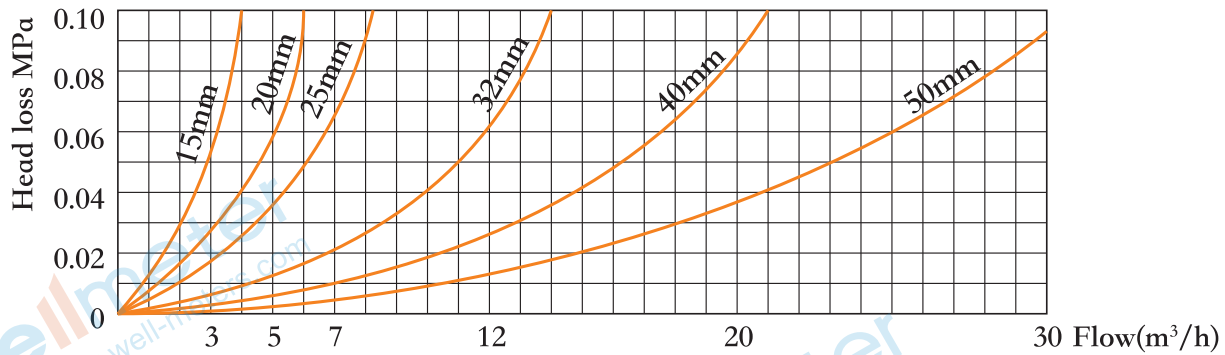


Model: LXDG-13B-25B

Error Curve:

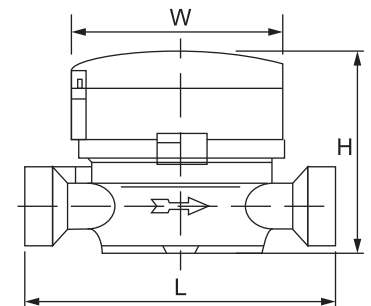


Head Loss Curve:



Dimensions and Weight:

Meter Size Dia DN	L Length	W Width	H Height	Connecting Thread D	Weight Kg
(mm)	(mm)				
15	110	77	80	G 3/4B	0.57
20	130	77	80	G 1B	0.67
25	160	77	85	G1 1/4B	0.91



WORKING CONDITION:

Water temperature: ≤50°C for cold water meter
 Water temperature: ≤90°C for hot water meter
 Working pressure: ≤1.6Mpa